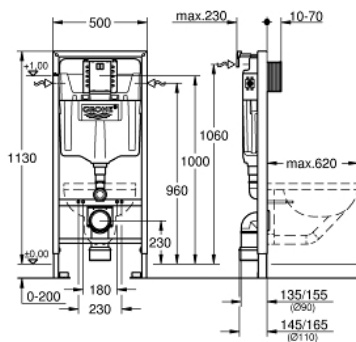


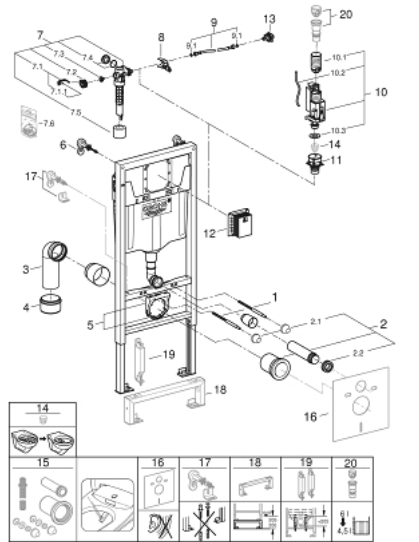
## 39 750 001 **RAPID SL 2-IN-1 SET FOR WC, 1.13 M INSTALLATION HEIGHT**

### PRODUCT DESCRIPTION

- with flushing cistern GD 2, 6 - 9 l
- consisting of:
  - Rapid SL element for WC (38 528 001)
  - wall brackets (38 558 00M)
- including revision shaft 40 911 000 for mounting of small flush plates



## 39 750 001 RAPID SL 2-IN-1 SET FOR WC, 1.13 M INSTALLATION HEIGHT



### SELECT SPARE PART: , November 2021 – now

- 1: Threaded bolt (Spare part-nr. 4276400M)
  - 2: WC inlet and outlet connecting set (Spare part-nr. 37311K00)
  - 2.1: Basin fastening (Spare part-nr. 43511SH0)
  - 2.2: Connector (Spare part-nr. 37119000)
  - 3: PP-outlet bend  $\varnothing$  90 mm (Spare part-nr. 42327000)
  - 4: 4" Outlet Adaptor F Rapid SI (Spare part-nr. 42242000)
  - 5: Support for outlet bend (Spare part-nr. 42243000)
  - 6: Wall union (Spare part-nr. 38558000)
  - 7: Filling valve (Spare part-nr. 37095000)
  - 7.1: Lever (Spare part-nr. 43734000)
  - 7.1.1: Ball seal dia. 9x6.8 mm (Spare part-nr. 4377000M)
  - 7.2: Valve head (Spare part-nr. 43536000)
  - 7.3: Membrane (Spare part-nr. 4375800M)
  - 7.4: Screw cap (Spare part-nr. 43735000)
  - 7.5: Valve float, 5 pcs. (Spare part-nr. 4379100M)
  - 7.6: Repl. kit f. seal (Spare part-nr. 43722000)\*
  - 8: Support device (Spare part-nr. 42246000)
  - 9: Tube (Spare part-nr. 42233000)
  - 9.1: Seat washer (Spare part-nr. 0319100M)
  - 10: Dual Flush discharge valve AV1 (Spare part-nr. 42320000)
  - 10.1: Extension for overflow pipe (Spare part-nr. 42313000)
  - 10.2: pneumatic hose (Spare part-nr. 42319000)
  - 10.3: Ball seal dia. 9x6.8 mm (Spare part-nr. 42310000)
  - 11: Valve seat (Spare part-nr. 42599000)
  - 12: Revision shaft for small flush plates (Spare part-nr. 40911000)
  - 13: Water connection (Spare part-nr. 48561000)
  - 14: Flow restrictor (Spare part-nr. 42300000)\*
  - 15: Retrofit kit for shower toilets Sensia Arena and Sensia Pro (Spare part-nr. 40899000)\*
  - 16: Set for noise protection (Spare part-nr. 37131000)\*
  - 17: Xtra wall brackets, flexible placing (Spare part-nr. 38733000)\*
  - 18: Extension (Spare part-nr. 38629000)\*
  - 19: Accessory (Spare part-nr. 38779000)\*
  - 20: 4,5 l Adapter for GD2 (Spare part-nr. 42333000)\*
- \* Optional accessories