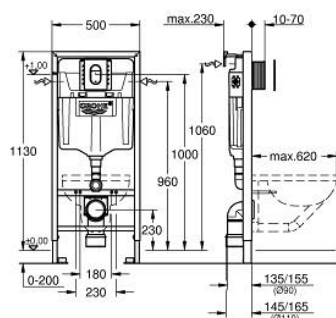


## 39 503 000 RAPID SL 3-IN-1 SET FOR WC, 1.13 M INSTALLATION HEIGHT

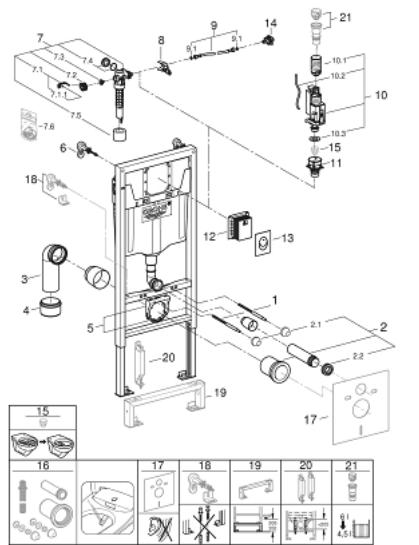


### PRODUCT DESCRIPTION

- Colour: chrome
- with flushing cistern GD 2, 6 - 9 l
- consisting of:
  - Rapid SL element for WC (38 528 001)
  - Skate Air S flush plate, chrome, vertical installation (37 965 000)
  - wall brackets (38 558 00M)



## 39 503 000 RAPID SL 3-IN-1 SET FOR WC, 1.13 M INSTALLATION HEIGHT



### SELECT SPARE PART: , April 2017 – now

- 1: Threaded bolt (Spare part-nr. 4276400M)
- 2: WC inlet and outlet connecting set (Spare part-nr. 37311K00)
- 2.1: Basin fastening (Spare part-nr. 43511SH0)
- 2.2: Connector (Spare part-nr. 37119000)
- 3: PP-outlet bend Ø 90 mm (Spare part-nr. 42327000)
- 4: 4" Outlet Adaptor F Rapid SI (Spare part-nr. 42242000)
- 5: Support for outlet bend (Spare part-nr. 42243000)
- 6: Wall union (Spare part-nr. 3855800M)
- 7: Filling valve (Spare part-nr. 37095000)
- 7.1: Lever (Spare part-nr. 43734000)
- 7.1.1: Ball seal dia. 9x6.8 mm (Spare part-nr. 4377000M)
- 7.2: Valve head (Spare part-nr. 43536000)
- 7.3: Membrane (Spare part-nr. 4375800M)
- 7.4: Screw cap (Spare part-nr. 43735000)
- 7.5: Valve float, 5 pcs. (Spare part-nr. 4379100M)
- 7.6: Repl. kit f. seal (Spare part-nr. 43722000)\*
- 8: Support device (Spare part-nr. 42246000)
- 9: Tube (Spare part-nr. 42233000)
- 9.1: Seat washer (Spare part-nr. 0319100M)
- 10: Dual Flush discharge valve AV1 (Spare part-nr. 42320000)
- 10.1: Extension for overflow pipe (Spare part-nr. 42313000)
- 10.2: pneumatic hose (Spare part-nr. 42319000)
- 10.3: Ball seal dia. 9x6.8 mm (Spare part-nr. 42310000)
- 11: Valve seat (Spare part-nr. 42599000)
- 12: Revision shaft for small flush plates (Spare part-nr. 40911000)
- 13: Flush plate (Spare part-nr. 37965000)
- 14: Water connection (Spare part-nr. 48561000)
- 15: Flow restrictor (Spare part-nr. 42300000)\*
- 16: Retrofit kit for shower toilets Sensia Arena and Sensia Pro (Spare part-nr. 40899000)\*
- 17: Set for noise protection (Spare part-nr. 37131000)\*
- 18: Xtra wall brackets, flexible placing (Spare part-nr. 38733000)\*
- 19: Extension (Spare part-nr. 38629000)\*
- 20: Accessory (Spare part-nr. 38779000)\*
- 21: 4,5 l Adapter for GD2 (Spare part-nr. 42333000)\*

\* Optional accessories