

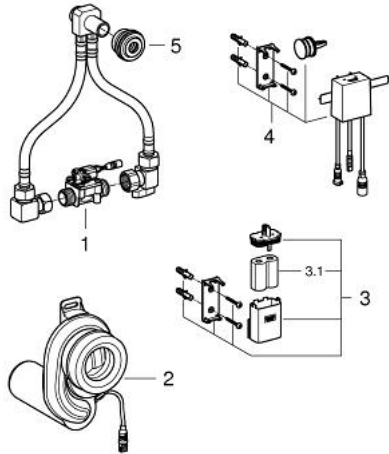
39 367 000 TEMPERATURE SENSOR FOR URINAL



PRODUCT DESCRIPTION

- 6 V lithium battery, type CR-P2
- with water connection set and stop valve
- siphon with temperature sensor
- cartridge with solenoid valve and dirt strainer
- flow pressure min 0.5 bar
- operating pressure max 10 bar
- 7 pre-set programs:
 - auto flush
 - cleaning mode
 - pre-flush on/off
- CE approved
- only for certain urinal ceramics, check online TPI

39 367 000 TEMPERATURE SENSOR FOR URINAL



SELECT SPARE PART: , April 2015 – now

1: Solenoid valve (Spare part-nr. 42476000)

2: Waste trap (Spare part-nr. 42477000)

3: Battery housing (Spare part-nr. 42393000)

3.1: Battery (Spare part-nr. 42886000)

4: Electronic (Spare part-nr. 42478000)

5: Lip seal (Spare part-nr. 4387500M)