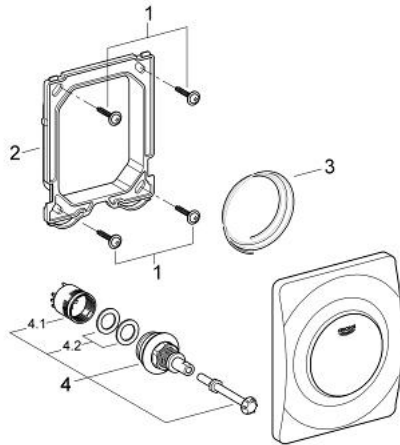


## 38 808 SH0 SURF WALL PLATE



**SELECT SPARE PART:** , August 2012 – now

1: Screw dia. 4x52 mm (Spare part-nr. 6636200M)

2: Frame (Spare part-nr. 66845000)

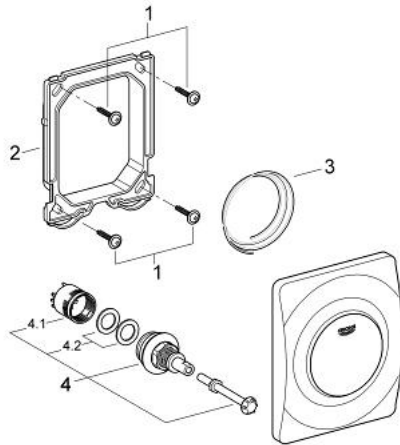
3: Spring, 5 pcs. (Spare part-nr. 4309700M)

4: Cartridge (Spare part-nr. 42354000)

4.1: Repl. kit f. seal (Spare part-nr. 4271500M)

4.2: Rings (Spare part-nr. 4282000M)

## 38 808 SH0 SURF WALL PLATE



**SELECT SPARE PART:** , August 2008 – August 2012

1: Screw dia. 4x52 mm (Spare part-nr. 6636200M)

2: Frame (Spare part-nr. 66845000)

3: Spring, 5 pcs. (Spare part-nr. 4309700M)

4: Cartridge (Spare part-nr. 42354000)

4.1: Repl. kit f. seal (Spare part-nr. 4271500M)

4.2: Rings (Spare part-nr. 4282000M)