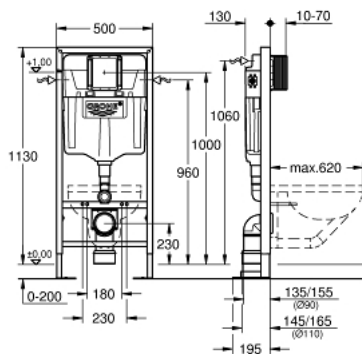


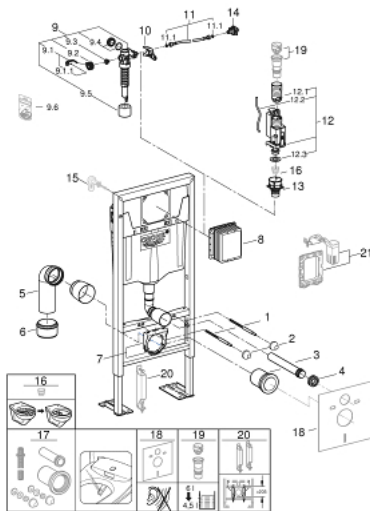
## 38 584 001 RAPID SL ELEMENT FOR WC, 1.13 M INSTALLATION HEIGHT



### PRODUCT DESCRIPTION

- with flushing cistern GD 2, 6 - 9 I
- for free-standing installation, for on-the-wall installations or studded walls
- powder coated steel frame, self-supporting
- for dry-cladding, completely pre-assembled
- with fixed connections
- lockable
- fixing material
- 2 WC fixing bolts
- fixing device for ceramic
- WC ceramics with small bearing area (less than 205 mm) require additional accessory 38 779 000
- distance of fixing bolts 180/230 mm
- outlet bend Ø 90 mm
- depth adjustable
- reducer Ø 90/110 mm
- inlet and outlet connecting set
- flushing cistern GD 2, 6 - 9 I, containing following features:
  - adjustment ex factory 6 l and 3 l
  - pneumatic discharge valve offering 3 modes of operation: dual flush or start/stop or single flush
  - water supply from left/right or back
  - low noise (group I acc. to German Noise Specification)
  - insulated against condensation
  - ½" water supply connection including integrated angle valve and push fit flexible hose union
- no tools required for the installation of the inspection shaft incl. protection during construction phase
- for vertical or horizontal use
- for on-the-wall installation please order wall brackets 38 558 00M (sold separately)
- for mounting of small flush plates please order revision shaft 40 911 000 (sold separately)

## 38 584 001 RAPID SL ELEMENT FOR WC, 1.13 M INSTALLATION HEIGHT



### SELECT SPARE PART: , October 2021 – now

- 1: Threaded bolt (Spare part-nr. 4276400M)
- 2: Basin fastening (Spare part-nr. 43511SH0)
- 3: Wall union (Spare part-nr. 43352000)
- 4: Connector (Spare part-nr. 37119000)
- 5: PP-outlet bend Ø 90 mm (Spare part-nr. 42327000)
- 6: 4" Outlet Adaptor F Rapid SI (Spare part-nr. 42242000)
- 7: Support for outlet bend (Spare part-nr. 42243000)
- 8: Inspection shaft (Spare part-nr. 66791000)
- 9: Filling valve (Spare part-nr. 37095000)
- 9.1: Lever (Spare part-nr. 43734000)
- 9.1.1: Ball seal dia. 9x6.8 mm (Spare part-nr. 4377000M)
- 9.2: Valve head (Spare part-nr. 43536000)
- 9.3: Membrane (Spare part-nr. 4375800M)
- 9.4: Screw cap (Spare part-nr. 43735000)
- 9.5: Valve float, 5 pcs. (Spare part-nr. 4379100M)
- 9.6: Repl. kit f. seal (Spare part-nr. 43722000)\*
- 10: Support device (Spare part-nr. 42246000)
- 11: Tube (Spare part-nr. 42233000)
- 11.1: Seat washer (Spare part-nr. 0319100M)
- 12: Dual Flush discharge valve AV1 (Spare part-nr. 42320000)
- 12.1: Extension for overflow pipe (Spare part-nr. 42313000)
- 12.2: pneumatic hose (Spare part-nr. 42319000)
- 12.3: Ball seal dia. 9x6.8 mm (Spare part-nr. 42310000)
- 13: Valve seat for GD2 (Spare part-nr. 42315000)
- 14: Water connection (Spare part-nr. 48561000)
- 15: Wall union (Spare part-nr. 3855800M)\*
- 16: Flow restrictor (Spare part-nr. 42300000)\*
- 17: Retrofit kit for shower toilets Sensia Arena and Sensia Pro (Spare part-nr. 40899000)\*
- 18: Set for noise protection (Spare part-nr. 37131000)\*
- 19: 4,5 l Adapter for GD2 (Spare part-nr. 42333000)\*
- 20: Accessory (Spare part-nr. 38779000)\*
- 21: Retro-fit set (Spare part-nr. 38796000)\*

\* Optional accessories