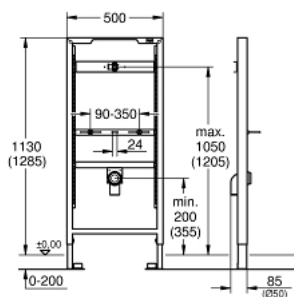


## 38 517 001 RAPID SL ELEMENT FOR URINAL WITHOUT FITTING

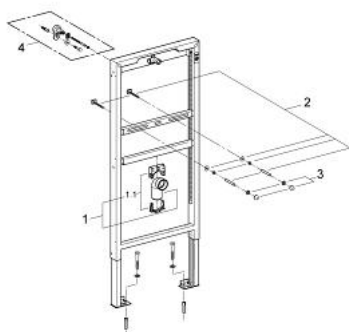


### PRODUCT DESCRIPTION

- 1.13 and 1.30 m installation height
- for manual / electronic actuation
- for exposed fittings
- for on-the-wall installations or studded walls
- powder coated steel frame, self-supporting
- for dry-cladding, completely pre-assembled
- height adjustable fitting connections
- quick adjustment, lockable
- fixing material
- TÜV approved
- HT-outlet bend Ø 50 mm
- fixing bolts M8, with fixing device for ceramic
- inlet connection and inlet connecting set
- for on-the-wall installation please order wall brackets 38 558 00M (sold separately)



## 38 517 001 **RAPID SL ELEMENT FOR URINAL WITHOUT FITTING**



**SELECT SPARE PART:** , March 2011 – now

1: Flush elbow 2" (Spare part-nr. 42943000)

1.1: holder (Spare part-nr. 42236000)

2: Threaded bolt (Spare part-nr. 43078000)

3: Fastening set (Spare part-nr. 4307500M)

4: Wall union (Spare part-nr. 3855800M)\*

\* Optional accessories