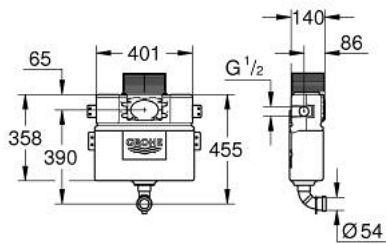


## 38 422 000 FLUSHING CISTERN FOR WC

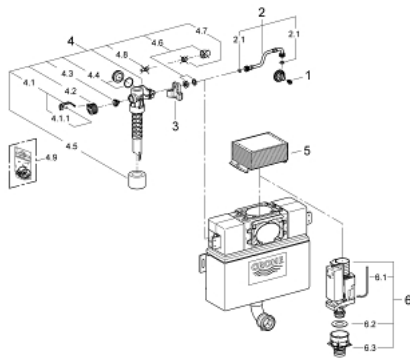


### PRODUCT DESCRIPTION

- 6 - 9 l adjustable
- concealed installation
- 0.82 m installation height
- dual flush discharge valve, pneumatic
- front or top actuation
- water supply from left/right or top
- low noise (group I acc. to German Noise Specification)
- insulated against condensation
- 415 x 410 x 360 mm
- ½" water supply connection
- fixing brackets
- flush pipe
- shortable inspection shaft incl. protection during construction phase
- without wall plate/actuation
- GROHE EcoJoy - less water, perfect flow
- for mounting of small flush plates please order revision shaft 40 950 000 (sold separately)



## 38 422 000 FLUSHING CISTERN FOR WC



### SELECT SPARE PART: , July 2013 – now

- 1: Headpart (Spare part-nr. 42385000)
  - 2: Overflow Sleeve (Spare part-nr. 43325000)
  - 2.1: Seat washer (Spare part-nr. 0319100M)
  - 3: Support device (Spare part-nr. 42195000)
  - 4: Filling valve (Spare part-nr. 37095000)
  - 4.1: Lever (Spare part-nr. 43734000)
  - 4.1.1: Ball seal dia. 9x6.8 mm (Spare part-nr. 4377000M)
  - 4.2: Valve head (Spare part-nr. 43536000)
  - 4.3: Membrane (Spare part-nr. 4375800M)
  - 4.4: Screw cap (Spare part-nr. 43735000)
  - 4.5: Valve float, 5 pcs. (Spare part-nr. 4379100M)
  - 4.6: Repl. kit f. seal (Spare part-nr. 43722000)\*
  - 5: inspection shaft.for flushing cistern (Spare part-nr. 42326000)
  - 6: Discharge valve AV1 complete (Spare part-nr. 42314000)
  - 6.1: pneumatic hose (Spare part-nr. 42319000)
  - 6.2: Ball seal dia. 9x6.8 mm (Spare part-nr. 42310000)
  - 6.3: Valve seat for GD2 (Spare part-nr. 42315000)
- \* Optional accessories