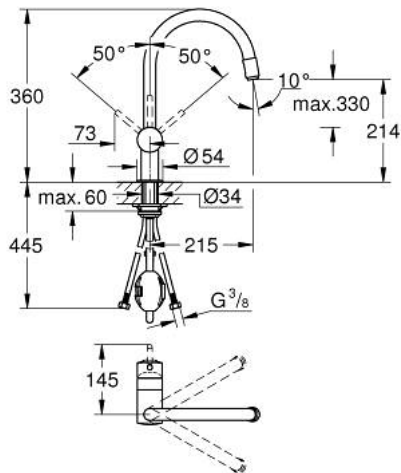


32 918 DC0 MINTA SINGLE-LEVER SINK MIXER 1/2"

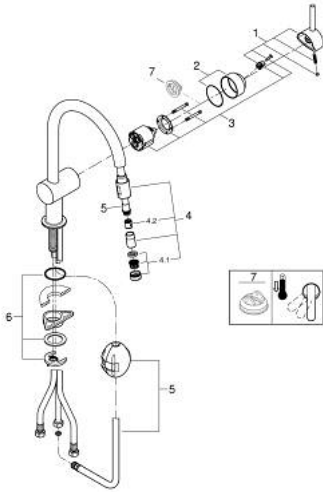


PRODUCT DESCRIPTION

- Colour: Supersteel
- C-spout
- single hole installation
- GROHE LongLife finish
- GROHE SilkMove 46 mm ceramic cartridge
- Pull-Out spout for greater flexibility
- adjustable flow rate limiter
- swivel tubular spout, swivel area 360°
- integrated non-return valves
- protected against backflow
- flexible connection hoses
- rapid installation system
- maximum flow rate (at 3 bar): 10.5 l/min
- optional temperature limiter ref. no. 46 308
- min. recommended pressure 1.0 bar



32 918 DC0 MINTA SINGLE-LEVER SINK MIXER 1/2"



SELECT SPARE PART: , June 2024 – now

1: Lever (Spare part-nr. 46015DC0)

2: Shield (Spare part-nr. 46025DC0)

3: Cartridge (Spare part-nr. 46048000)

4: Pull-Out spray (Spare part-nr. 46925DC0)

4.1: Mousseur (Spare part-nr. 13952DC0)

4.2: Non-return valve (Spare part-nr. 08565000)

5: Hose for sink mixer with pull-out dual spray or mousseur (Spare part-nr. 48293000)

6: Shank mounting kit (Spare part-nr. 46345000)

7: Temperature limiter (Spare part-nr. 46375000)*

* Optional accessories