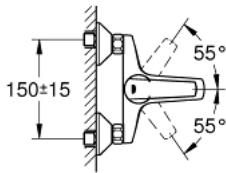
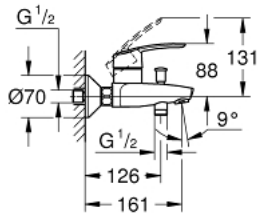


32 278 001 **START SINGLE-LEVER BATH/SHOWER MIXER**

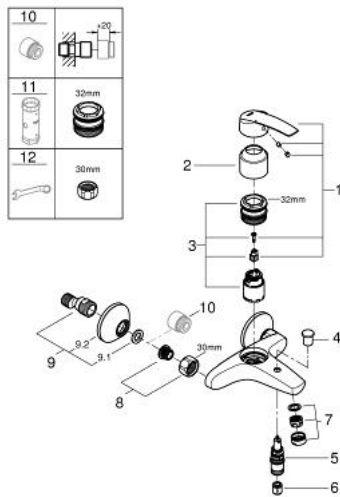


PRODUCT DESCRIPTION

- Colour: chrome
- wall mounted
- metal lever
- GROHE SilkMove 35 mm ceramic cartridge
- with temperature limiter
- adjustable flow rate limiter
- GROHE LongLife finish
- automatic diverter: bath/shower
- shower outlet 1/2" with integrated non-return valve
- mousseur
- S-unions
- metal wall escutcheons
- protected against backflow



32 278 001 START SINGLE-LEVER BATH/SHOWER MIXER



SELECT SPARE PART: , November 2014 – now

- 1: Lever (Spare part-nr. 46898000)
 - 2: Shield (Spare part-nr. 46899000)
 - 3: Cartridge (Spare part-nr. 46374000)
 - 4: Diverter knob (Spare part-nr. 65648000)
 - 5: Diverter (Spare part-nr. 65655000)
 - 6: Non-return valve (Spare part-nr. 08565000)
 - 7: Mousseur (Spare part-nr. 13952000)
 - 8: Screw joint (Spare part-nr. 45044000)
 - 9: S-union (Spare part-nr. 12075000)
 - 9.1: Ball seal dia. 9x6.8 mm (Spare part-nr. 0138600M)
 - 9.2: Escutcheon (Spare part-nr. 0221000M)
 - 10: Extension 3/4\", 20 mm (Spare part-nr. 0713000M)*
 - 11: Socket spanner (Spare part-nr. 19332000)*
 - 12: Special spanner (Spare part-nr. 19377000)*
- * Optional accessories