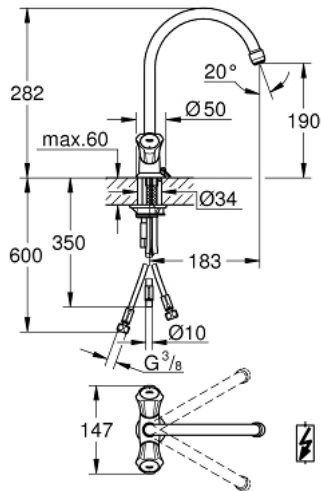


## 31 930 001 COSTA L TWO-HANDLE SINK MIXER

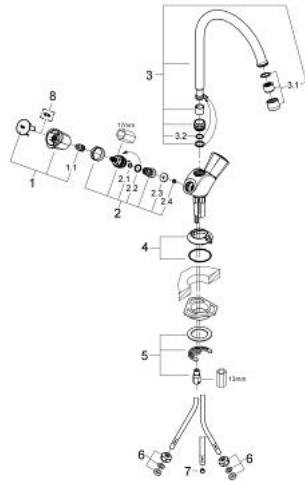


### PRODUCT DESCRIPTION

- Colour: chrome
- for open water heater
- metal handles
- heat-insulated
- GROHE LongLife finish
- GROHE Long-Life headparts
- flow straightener
- swivel tubular spout, swivel area 360°
- chain ring
- copper pipes
- maximum flow rate (at 3 bar): 8.4 l/min



## 31 930 001 COSTA L TWO-HANDLE SINK MIXER



### SELECT SPARE PART: , June 2008 – now

- 1: Handle (Spare part-nr. 45994000)
- 1.1: Repl. kit f.handle fastening (Spare part-nr. 0538600M)
- 2: Headpart 1/2" (Spare part-nr. 07146000)
- 2.1: O-ring  $\varnothing 6 \times \varnothing 2$  (Spare part-nr. 0128300M)
- 2.2: O-ring  $\varnothing 18.2 \times \varnothing 1.7$  (Spare part-nr. 0392400M)
- 2.3: Ball seal dia. 9x6.8 mm (Spare part-nr. 0529100M)
- 3: High U-Outlet (Spare part-nr. 13227000)
- 3.1: Flow straightener (Spare part-nr. 08599000)
- 3.2: O-ring dia. 12x2 mm (Spare part-nr. 0128000M)
- 4: Escutcheon (Spare part-nr. 48005000)
- 5: Shank mounting kit (Spare part-nr. 46249000)
- 6: Connection thread  $3/8 \times \varnothing 8,5$  (Spare part-nr. 1293800M)
- 7: Flow restrictor (Spare part-nr. 45303000)
- 8: Screw for Costa/Avina products (Spare part-nr. 48013000)\*

\* Optional accessories