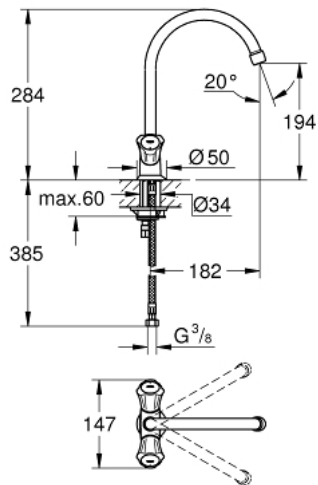


31 831 001 COSTA L TWO-HANDLE SINK MIXER

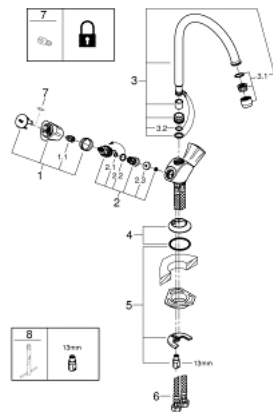


PRODUCT DESCRIPTION

- Colour: chrome
- metal handles
- heat-insulated
- GROHE LongLife finish
- GROHE Long-Life headparts
- mousseur
- swivel tubular spout, swivel area 360°
- flexible connection hoses
- maximum flow rate (at 3 bar): 13 l/min



31 831 001 COSTA L TWO-HANDLE SINK MIXER



SELECT SPARE PART: , September 2016 – now

- 1: Handle (Spare part-nr. 45994000)
 - 1.1: Repl. kit f.handle fastening (Spare part-nr. 0538600M)
 - 2: Headpart 1/2" (Spare part-nr. 07146000)
 - 2.1: O-ring $\varnothing 6 \times \varnothing 2$ (Spare part-nr. 0128300M)
 - 2.2: O-ring $\varnothing 18.2 \times \varnothing 1.7$ (Spare part-nr. 0392400M)
 - 2.3: Ball seal dia. 9x6.8 mm (Spare part-nr. 0529100M)
 - 3: Spout (Spare part-nr. 13213000)
 - 3.1: Mousseur (Spare part-nr. 13928000)
 - 3.2: O-ring dia. 12x2 mm (Spare part-nr. 0128000M)
 - 4: Escutcheon (Spare part-nr. 45996000)
 - 5: Shank mounting kit (Spare part-nr. 46249000)
 - 6: Connection hose (Spare part-nr. 46255000)
 - 7: Screw for Costa/Avina products (Spare part-nr. 48013000)*
 - 8: Mounting wrench (Spare part-nr. 19017000)*
- * Optional accessories