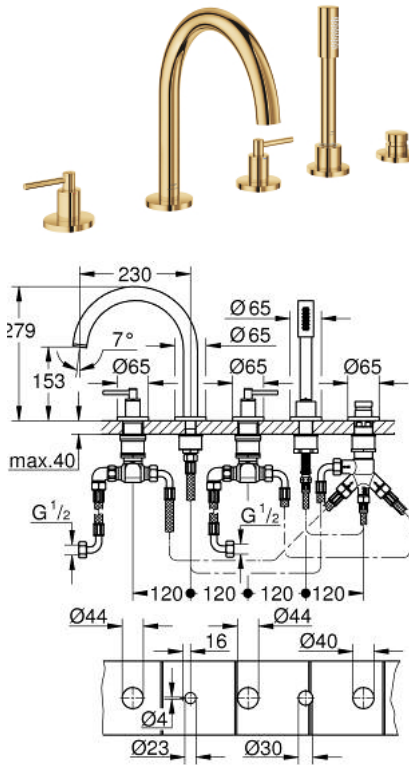


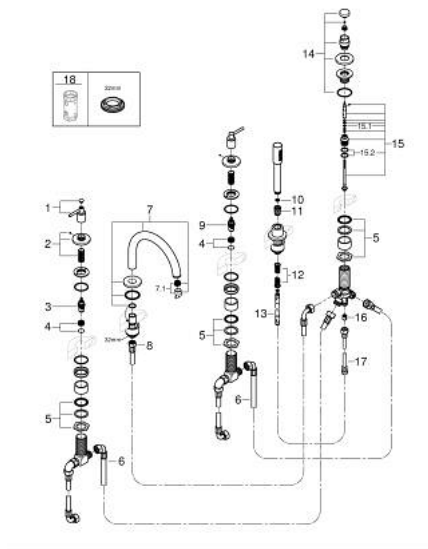
29 407 GL0 ATRIO 5-HOLE BATH/SHOWER COMBINATION



PRODUCT DESCRIPTION

- Colour: cool sunrise
- ceramic headparts 1/2", 90°
- GROHE LongLife finish
- consisting of:
- pre-assembled spout fixing
- with lever handles
- bath spout with mousseur and diverter bath/shower
- hand shower Rainshower Aqua Stick 6.5 l/min
- shower hose 2000 mm
- flexible connection hoses
- connection for shower hose
- protected against backflow
- for use with baseframe 29 037 002 (please order separately)
- Two different sets of caps included. One set with "H" and "C" marking, one set without marking.

29 407 GL0 ATRIO 5-HOLE BATH/SHOWER COMBINATION



SELECT SPARE PART: , October 2021 – now

- 1: Lever handle bath (Spare part-nr. 14218GL0)
- 2: Escutcheon (Spare part-nr. 101351GL00)
- 3: Ceramic headpart 3/4", 180° (Spare part-nr. 45888000)
- 4: Seat 3/4" (Spare part-nr. 45345000)
- 5: Repl.kit f.shank fastening 3/4" (Spare part-nr. 45444000)
- 6: Tube (Spare part-nr. 48019000)
- 7: Spout (Spare part-nr. 101350GL00)
- 7.1: Mousseur (Spare part-nr. 13926000)
- 8: Tube (Spare part-nr. 48018000)
- 9: Ceramic headpart 3/4", 180° (Spare part-nr. 45887000)
- 10: Dirt strainer (Spare part-nr. 0700200M)
- 11: Cone nut (Spare part-nr. 08864GL0)
- 12: Compression spring (Spare part-nr. 00869000)
- 13: Metal hose (Spare part-nr. 28146000)
- 14: Diverter knob (Spare part-nr. 48411GL0)
- 15: Diverter (Spare part-nr. 45443000)
- 15.1: O-ring $\varnothing 6 \times \varnothing 2$ (Spare part-nr. 0128300M)
- 15.2: Seat washer (Spare part-nr. 0120500M)
- 16: Non-return valve (Spare part-nr. 08565000)
- 17: Tube (Spare part-nr. 07300000)
- 18: Socket spanner (Spare part-nr. 19332000)*

* Optional accessories