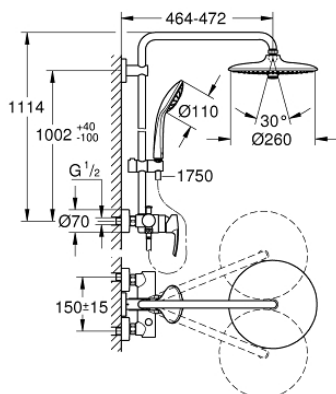


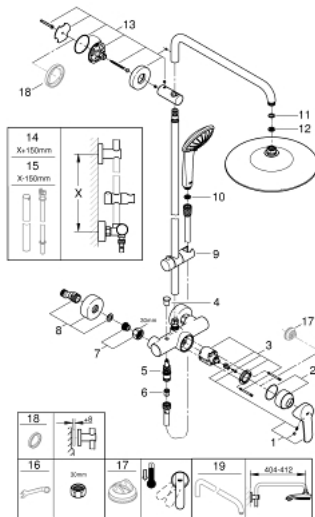
27 473 002 EUPHORIA SYSTEM 260 SHOWER SYSTEM WITH SINGLE LEVER MIXER FOR WALL MOUNTING



PRODUCT DESCRIPTION

- Colour: chrome
- consisting of:
 - horizontal swivable 450 mm shower arm
 - exposed single-lever shower mixer with diverter
 - allows change between:
 - head shower Euphoria 260 (26 457)
 - spray patterns: Rain, SmartRain, Jet
 - maximum flow rate (at 3 bar): 7.5 l/min
 - with ball joint
 - rotation angle $\pm 15^\circ$
 - hand shower Euphoria 110 Massage (27 239 000)
 - spray patterns: Rain, Massage, SmartRain
 - maximum flow rate (at 3 bar): 8.5 l/min
 - adjustable in height with gliding element
 - shower hose Silverflex 1750 mm 1/2" x 1/2" (28 388)
 - maximum flow rate system (at 3 bar): 8.5 l/min
 - GROHE EcoJoy - less water, perfect flow
 - GROHE SilkMove 46 mm ceramic cartridge
 - GROHE DreamSpray - perfect spray pattern
 - GROHE LongLife finish
 - GROHE EcoJoy - less water, perfect flow
 - GROHE SprayDimmer - stepless flow rate adjustment
 - Flexible Installation - 1 adjustable bracket for existing drill holes
 - Inner WaterGuide - inner insulation for surface protection
 - GROHE SpeedClean - effortless limescale removal
 - TwistStop - to prevent hose from twisting
 - suitable for instantaneous heaters from 18 kW/h
 - minimum flow rate 5 l/min.
 - min. recommended pressure 1.0 bar
 - professional edition

27 473 002 EUPHORIA SYSTEM 260 SHOWER SYSTEM WITH SINGLE LEVER MIXER FOR WALL MOUNTING



SELECT SPARE PART: , January 2020 – now

- 1: Lever (Spare part-nr. 46726000)
- 2: Shield (Spare part-nr. 46025000)
- 3: Cartridge (Spare part-nr. 46048000)
- 4: Diverter knob (Spare part-nr. 65648000)
- 5: Diverter (Spare part-nr. 65655000)
- 6: Non-return valve (Spare part-nr. 08565000)
- 7: Screw joint (Spare part-nr. 45044000)
- 8: S-union (Spare part-nr. 12662000)
- 9: Sliding piece (Spare part-nr. 12140000)
- 10: Dirt strainer (Spare part-nr. 0700200M)
- 11: Fibre seal dia. 12x2 mm (Spare part-nr. 0138900M)
- 12: Dirt strainer (Spare part-nr. 48007000)
- 13: Outlet shower holder (Spare part-nr. 48279000)
- 14: Shower system pipe for retrofitting (Spare part-nr. 48514000)*
- 15: Shower system pipe for retrofitting (Spare part-nr. 48515000)*
- 16: Special spanner (Spare part-nr. 19377000)*
- 17: Temperature limiter (Spare part-nr. 46375000)*
- 18: Compensation disc (Spare part-nr. 27180000)*
- 19: Shower arm for shower systems (Spare part-nr. 14047000)*

* Optional accessories