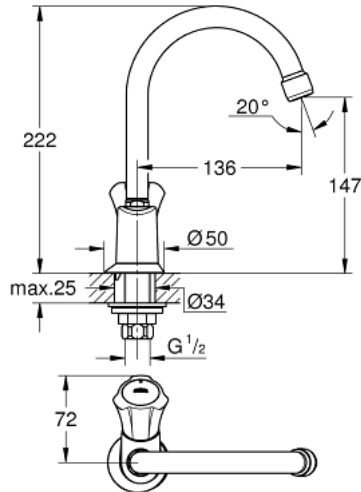


20 393 001 COSTA L PILLAR TAP

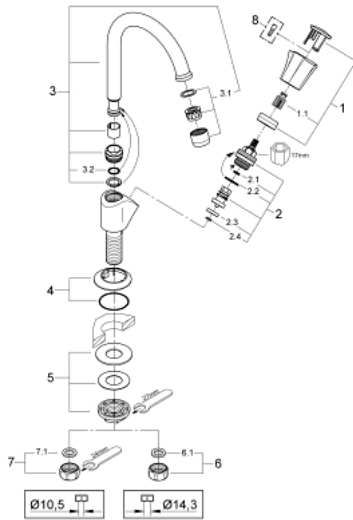


PRODUCT DESCRIPTION

- Colour: chrome
- metal handle
- heat-insulated
- screwable
- marking: blue
- GROHE Long-Life headpart
- swivel tubular spout with mousseur
- union nut 1/2" with 10.5 mm drilling
- GROHE LongLife finish



20 393 001 COSTA L PILLAR TAP



SELECT SPARE PART: , December 2007 – now

- 1: Handle (Spare part-nr. 45994000)
 - 1.1: Repl. kit f.handle fastening (Spare part-nr. 0538600M)
 - 2: Headpart 1/2" (Spare part-nr. 07146000)
 - 2.1: O-ring $\varnothing 6 \times \varnothing 2$ (Spare part-nr. 0128300M)
 - 2.2: O-ring $\varnothing 18.2 \times \varnothing 1.7$ (Spare part-nr. 0392400M)
 - 2.3: Ball seal dia. 9x6.8 mm (Spare part-nr. 0529100M)
 - 3: Spout (Spare part-nr. 13219000)
 - 3.1: Mousseur (Spare part-nr. 13928000)
 - 3.2: O-ring dia. 12x2 mm (Spare part-nr. 0128000M)
 - 4: Escutcheon (Spare part-nr. 45996000)
 - 5: Shank mounting kit (Spare part-nr. 45004000)
 - 6: Coupling nut 1/2" x 14.5 mm (Spare part-nr. 1290200M)
 - 6.1: Fibre seal dia. 12x2 mm (Spare part-nr. 0138900M)
 - 7: Coupling nut 1/2" x 10.5 mm (Spare part-nr. 1290100M)
 - 7.1: Fibre seal dia. 12x2 mm (Spare part-nr. 0138900M)
 - 8: Screw for Costa/Avina products (Spare part-nr. 48013000)*
- * Optional accessories