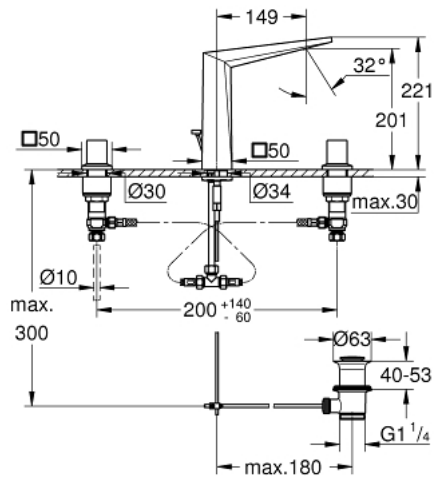


20 344 AL0 ALLURE BRILLIANT 3-HOLE BASIN MIXER M-SIZE

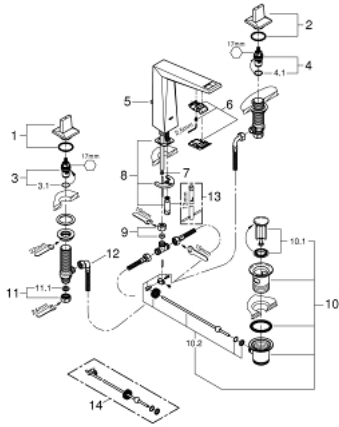


PRODUCT DESCRIPTION

- Colour: brushed hard graphite
- ceramic headparts 1/2", 90°
- GROHE LongLife finish
- GROHE EcoJoy 5.0 l/min. flow limiter
- spout with integrated mousseur
- pop-up waste set 1 1/4"
- pressure-proof, flexible connection hoses between spout and side valves
- min. recommended pressure 1.0 bar



20 344 AL0 ALLURE BRILLIANT 3-HOLE BASIN MIXER M-SIZE



SELECT SPARE PART: , July 2015 – now

- 2: Handle pair (Spare part-nr. 48320AL0)
- 3: Ceramic headpart, 1/2" (Spare part-nr. 45882000)
- 3.1: O-ring $\varnothing 18.2 \times \varnothing 1.7$ (Spare part-nr. 0392400M)
- 4: Ceramic headpart, 1/2" (Spare part-nr. 45883000)
- 4.1: O-ring $\varnothing 18.2 \times \varnothing 1.7$ (Spare part-nr. 0392400M)
- 5: Pop-up rod (Spare part-nr. 46787AL0)
- 6: Race (Spare part-nr. 46794AL0)
- 7: Flow limiter (Spare part-nr. 48160000)
- 8: Shank mounting kit (Spare part-nr. 46671000)
- 9: Compression union 3/8" (Spare part-nr. 12914000)
- 10: Pop-up waste set 1 1/4" (Spare part-nr. 28910AL0)
- 10.1: Plug (Spare part-nr. 07182AL0)
- 10.2: Eccentric rod (Spare part-nr. 07052000)
- 11: Coupling nut 1/2" x 10.5 mm (Spare part-nr. 1290100M)
- 11.1: Fibre seal dia. 12x2 mm (Spare part-nr. 0138900M)
- 12: Flexible connection hose (Spare part-nr. 45704000)
- 13: Mounting wrench (Spare part-nr. 19017000)*
- 14: Eccentric rod (Spare part-nr. 07341000)*

* Optional accessories