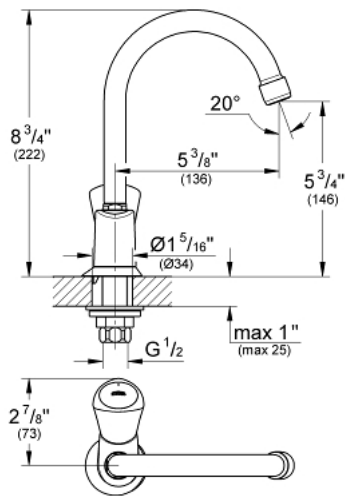


## 20 179 001 COSTA S PILLAR TAP

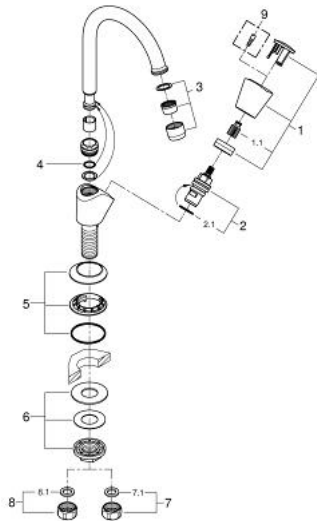


### PRODUCT DESCRIPTION

- Colour: chrome
- metal handle
- heat-insulated
- screwable
- GROHE LongLife finish
- ceramic headpart 1/2", 90°
- flow straightener
- swivel tubular spout, swivel area 360°
- union nut 1/2" with 10.5 mm drilling



## 20 179 001 COSTA S PILLAR TAP



### SELECT SPARE PART: , April 2014 – now

- 1: Handle (Spare part-nr. 45995000)
- 1.1: Repl. kit f.handle fastening (Spare part-nr. 0538600M)
- 2: Ceramic headpart, 1/2" (Spare part-nr. 45882000)
- 2.1: O-ring  $\varnothing 18.2 \times \varnothing 1.7$  (Spare part-nr. 0392400M)
- 3: Mousseur (Spare part-nr. 48251000)
- 4: O-ring dia. 12x2 mm (Spare part-nr. 0128000M)
- 5: Escutcheon (Spare part-nr. 45996000)
- 6: Shank mounting kit (Spare part-nr. 45004000)
- 7: Coupling nut 1/2" x 10.5 mm (Spare part-nr. 1290100M)
- 7.1: Fibre seal dia. 12x2 mm (Spare part-nr. 0138900M)
- 8: Coupling nut 1/2" x 14.5 mm (Spare part-nr. 1290200M)
- 8.1: Fibre seal dia. 12x2 mm (Spare part-nr. 0138900M)
- 9: Screw for Costa/Avina products (Spare part-nr. 48013000)\*

\* Optional accessories